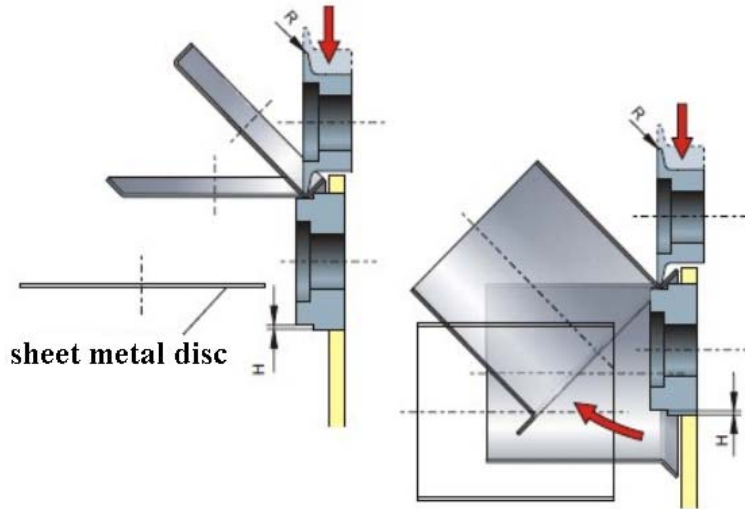




"SVR" Ltd.
 24 Zheleznodorozhnaya, Scherbinka, Moscow, 142172, Russia
 Web.: <http://svr-online.ru/>
 Tel:+7 (495) 500 0785
 Fax:+7 (495) 500 0786

Flanging wheels BC

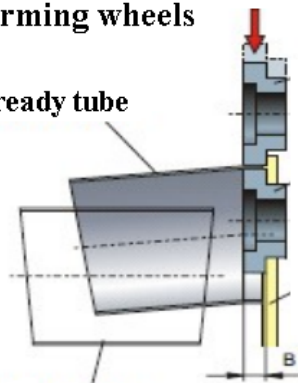


Type of wheels	B (mm)	H (mm)	Art.no.
Flanging wheels	2,0	1,0	012 022
Flanging wheels	6,0	1,5	

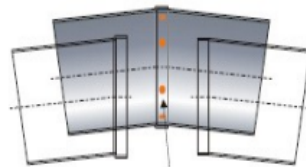
Set-off wheels KA

forming wheels

ready tube

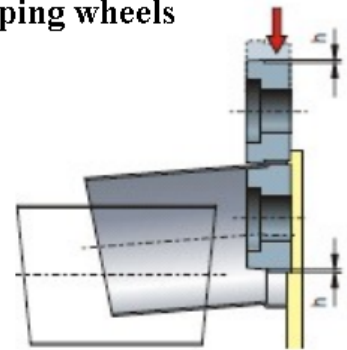


blank tube



spot welding

crimping wheels



Type of wheels (pair)	B (mm)	H (mm)	Art.no.
Chamfering wheels		1,0	012 116
Knee pipe-chamfering wheels	8,0		012 118
Chamfering wheels		1,25	012 119
Knee pipe-chamfering wheels	10,0		012 110
Chamfering wheels		1,75	012 122
Knee pipe-chamfering wheels	12,0		012 112



"SVR" Ltd.

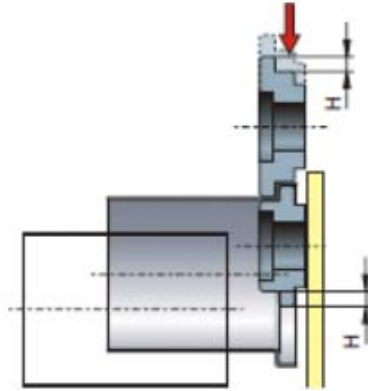
24 Zheleznodorozhnaya, Scherbinka, Moscow, 142172, Russia

Web.: <http://svr-online.ru/>

Tel: +7 (495) 500 0785

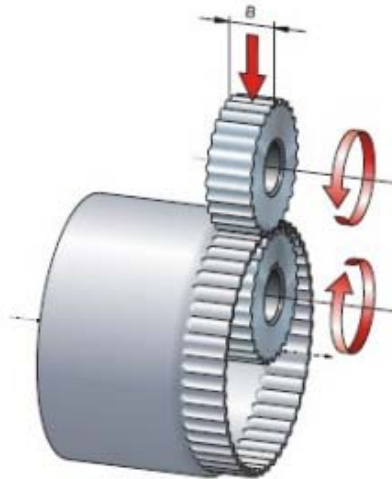
Fax: +7 (495) 500 0786

Double-seaming wheels



Type of wheels (pair)	B (mm)	Art.no.
Double-seaming wheels	5,0	
Double-seaming wheels	6,0	012 061
Double-seaming wheels	8,0	012 067
Double-seaming wheels	10,0	012 073
Double-seaming wheels	12,0	012 079

Crimping wheels



Type of wheels (pair)	B (mm)	Art.no.
Crimping wheels	23	012 173
Crimping wheels	40	
Crimping wheels	45	012 172



"SVR" Ltd.

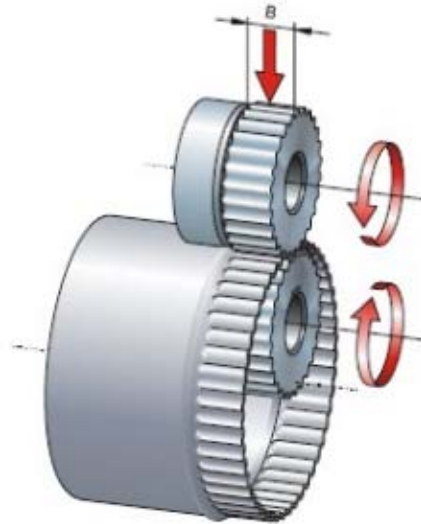
24 Zheleznodorozhnaya, Scherbinka, Moscow, 142172, Russia

Web.: <http://svr-online.ru/>

Tel:+7 (495) 500 0785

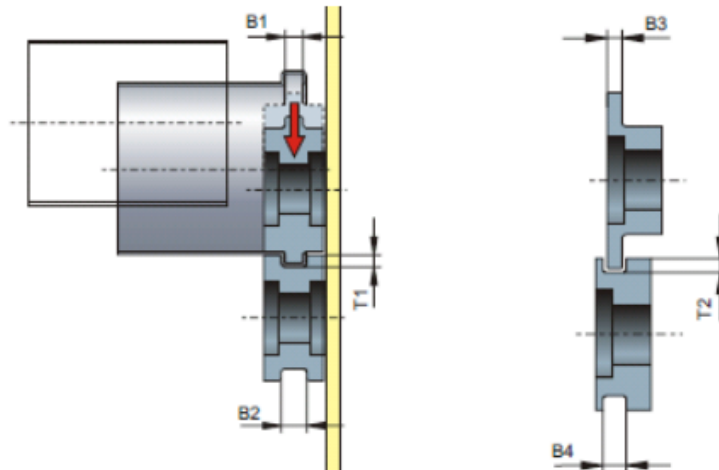
Fax:+7 (495) 500 0786

Crimping wheels with stop seam



Type of wheels (pair)	B (mm)	Max.material thickness (mm)	Art.no.
Crimping wheels	23	1,0	196 951

Square wheels



Type of wheels (pair)	B1 (mm)	B2 (mm)	B3 (mm)	B4 (mm)	T1 (mm)	T2 (mm)	Art.no.
Sqare wheels			5,0	8,0		7,0	012 125
Sqare wheels			6,0	9,0		6,0	012 128
Sqare wheels	7,0	10,0			6,0		012 131
Sqare wheels	9,0	12,0			6,0		012 134
Sqare wheels			5,5	9,5		6,0	
Sqare wheels	6,0	9,0			6,0		



"SVR" Ltd.

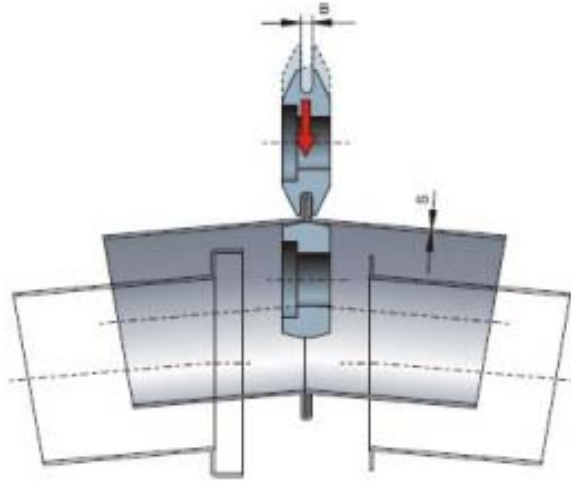
24 Zheleznodorozhnaya, Scherbinka, Moscow, 142172, Russia

Web.: <http://svr-online.ru/>

Tel:+7 (495) 500 0785

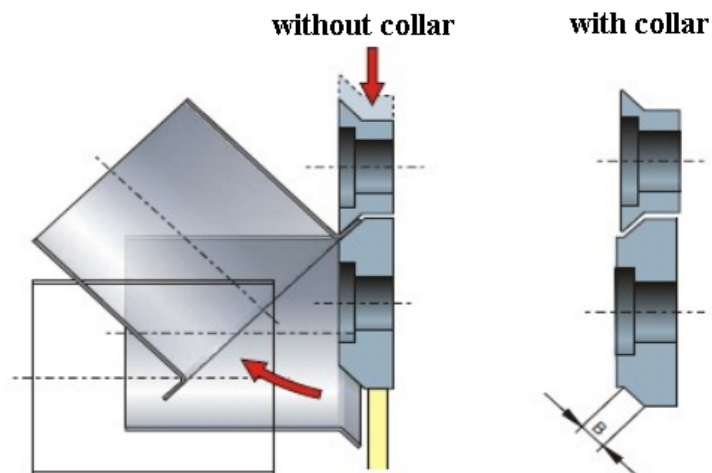
Fax:+7 (495) 500 0786

Knee-pipe wheels



Type of wheels (pair)	S (mm)	B (mm)	Art.no.
Knee-pipe wheels	0,63	2,0	012 149
Knee-pipe wheels	0,75	2,4	012 152
Knee-pipe wheels			
Knee-pipe wheels			
Knee-pipe wheels	0,88	2,8	012 156
Knee-pipe wheels	1,0	3,2	012 157
Knee-pipe wheels			
Knee-pipe wheels	1,25	4,0	012 159
Knee-pipe wheels			
Knee-pipe wheels			

Bevel flanging wheels BD



Type of wheels (pair)	B1 (mm)	Art.no.
Bevel flanging wheels without collar		012 179
Bevel flanging wheels with collar	11	012 099
Bevel flanging wheels with collar	24,75	



"SVR" Ltd.

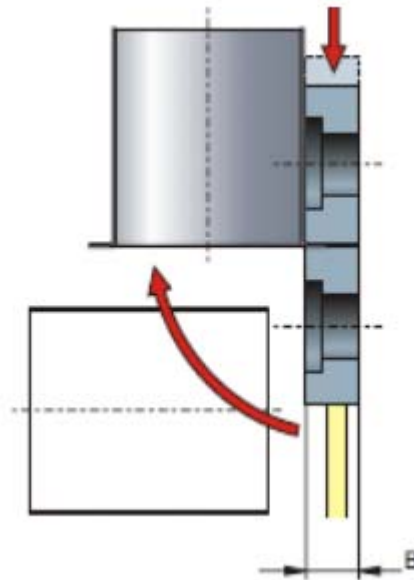
24 Zheleznodorozhnaya, Scherbinka, Moscow, 142172, Russia

Web.: <http://svr-online.ru/>

Tel:+7 (495) 500 0785

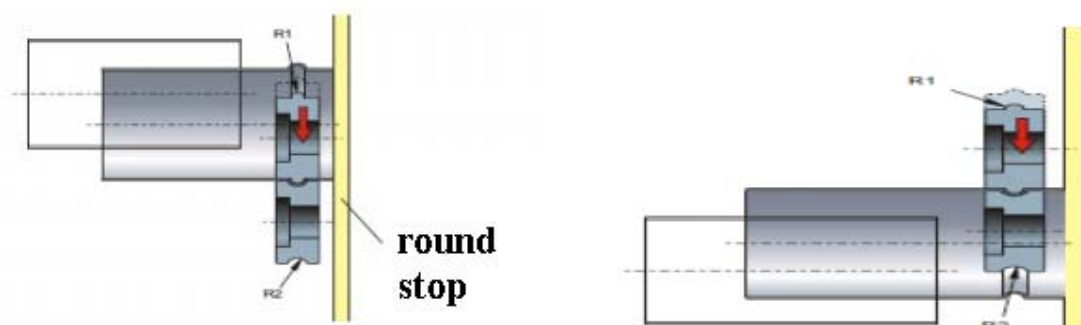
Fax:+7 (495) 500 0786

Chamfering wheels BB



Type of wheels (pair)	B1 (mm)	Art.no.
Chamfering wheels	23,0	012 097
Chamfering wheels knurled	23,0	012 114
Chamfering wheels	38,0	
Chamfering wheels knurled	38,0	

Seaming wheels S

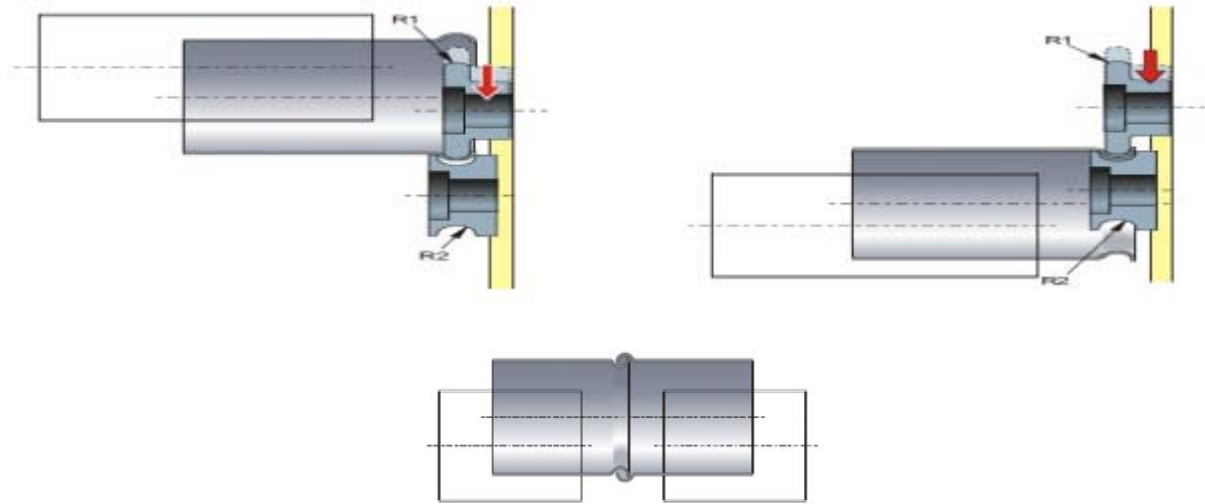


Type of wheels (pair)	R1 (mm)	R2 (mm)	Art.no.
Seaming wheels	1,0	2,0	012 031
Seaming wheels	2,0	3,5	012 034
Seaming wheels	3,0	4,5	012 037
Seaming wheels	4,0	5,5	012 040
Seaming wheels	5,0	6,5	012 043
Seaming wheels	6,0	7,5	012 046
Seaming wheels	7,0	9,5	012 049
Seaming wheels	8,0	11,5	012 052



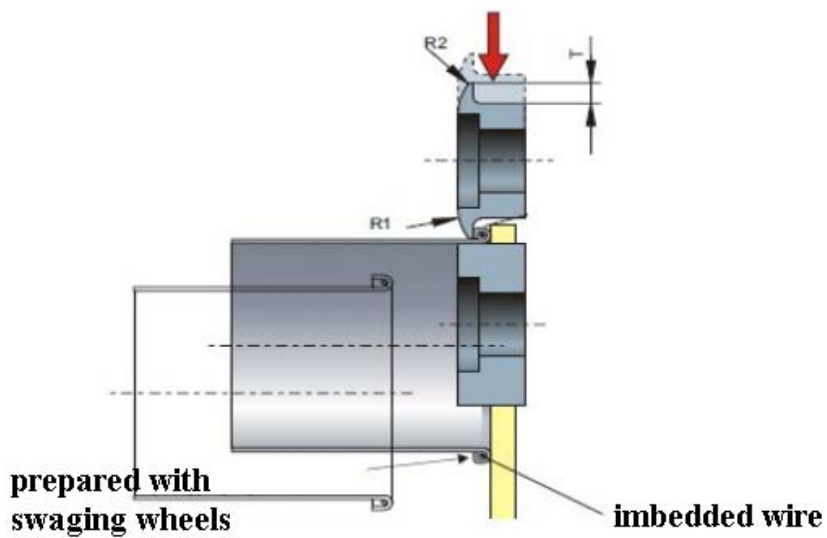
"SVR" Ltd.
 24 Zheleznodorozhnaya, Scherbinka, Moscow, 142172, Russia
 Web.: <http://svr-online.ru/>
 Tel:+7 (495) 500 0785
 Fax:+7 (495) 500 0786

Swaging wheels V



Type of wheels (pair)	R1 (mm)	R2 (mm)	Art.no.
Swaging wheels V1	1,0	2,25	012 182
Swaging wheels V1,5	1,5	3,0	012 000
Swaging wheels V2	2,0	3,5	012 003
Swaging wheels V2,5	2,5	4,0	012 006
Swaging wheels V3	3,0	4,5	012 010
Swaging wheels V4	4,0	5,5	012 013
Swaging wheels V5	5,0	6,5	012 016
Swaging wheels V6	6,0	7,5	012 019

Wiring wheels ZA



Type of wheels (pair)	R1 (mm)	R2 (mm)	T	Art.no.
Wiring wheels	20,0	0,6	8,0	012 028
Wiring wheels	30,0	1,0	15,0	